

**COFFEE
DAY**



SIENNA

IMPRESS YOUR
CUSTOMERS WITH
A PERFECT CUPPA



INTRODUCING SIENNA

Sienna, the powerful espresso coffee vending machine gives you the opportunity of serving customized beverages to your customers.

Indulge your customers and elevate their café-experience with a complete range of café-style hand crafted beverages from the finest quality of espresso brewed by your expert baristas through Sienna.



SAVOUR YOUR EVERY SIP

Coffee produced from our estates has won over millions of hearts and is known for its quality.

With time, the customer expectation from a good cup of coffee has grown in terms of quality, consistency, and customization.

Sienna helps you enrapture your customers with the perfect cup of coffee and the product variety.

A cappuccino with extra milk or a latte with more coffee? One machine, multiple customizable offerings.

HIGHLIGHTS



01

PREMIUM COFFEE BEANS
Variety of beans to cater to your customer's palette



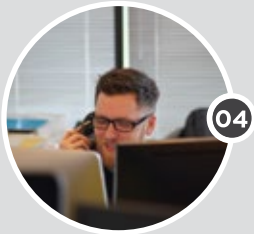
02

BEVERAGE EXPERIENCE
Consistent Pressure and Temperature delights your beverages experience



03

LOOK & FEEL
Aesthetically appealing to enhance your interiors



04

EASY MAINTENANCE
Simple to use and maintain with 24*7 assistance



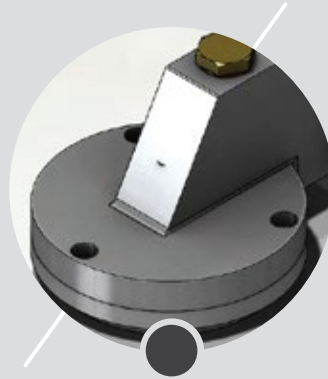
TRAINING

We train your staff to be barista to make quality coffee beverages that delight your customers. At the end of the training a fully qualified barista is ready to operate the machine and prepare the perfect cuppa.

FEATURES



CE CERTIFICATION



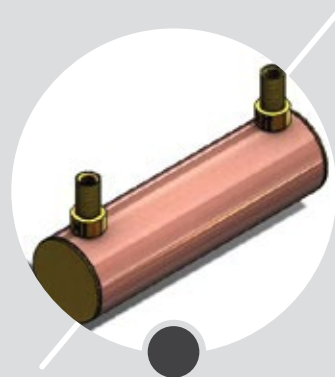
COMPACT GROUP HEAD



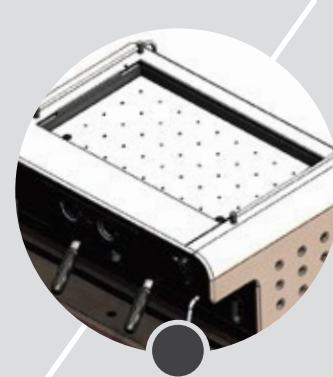
STAINLESS STEEL BOILER



BRANDING FRAME



COPPER TUBES FOR
FLOW LINES



CUP WARMER TRAY



DESIGNED TO DISPENSE
PREMIUM GOURMET ESPRESSO
TO CRAFT ALL THE COFFEES

ACCESSORIES



MILK FROTHING JUG

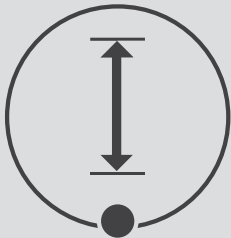


TAMPER

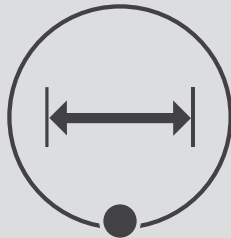


CLEANING BRUSH

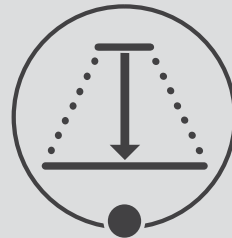
SPECIFICATIONS



HEIGHT
475 MM



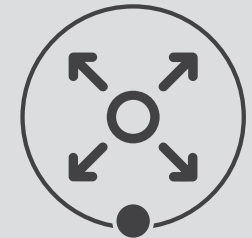
WIDTH
780 MM



DEPTH
555 MM



WEIGHT
75 KG



BOILER CAPACITY
14.2 L



GROUP HEADS
2 NOS.



STEAM WAND 2 NOS.
SWIVELABLE



HOT WATER WAND
1 NO. FIXED



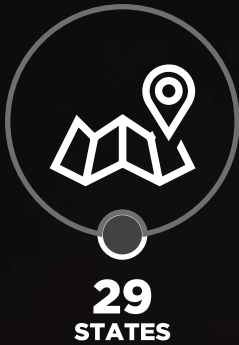
VOLTAGE 230 V
SINGLE PHASE AC, 50 HZ



HEATER COIL
5 KW

SERVICE

Our efficient team of trained technicians are always available to resolve machine related issues without any delay. We have a dedicated 24*7 service toll free number.





CONTACT US

Coffee Day Global Limited
23/2, Vittal Mallya Road
Bangalore, 560001
Karnataka, India

MACHINE SERVICE ASSISTANC
TOLL FREE NUMBER
1800 4251 6666

MACHINE ENQUIRY
+91 80 4001 2316

E : beverages@coffeeday.com
W : coffeedaybeverages.com